



www.patreon.com/darekpages



www.darekpages.eu



[www.twitter.com/DarekPages](https://twitter.com/DarekPages)



www.facebook.com/paper.terrain.darekpages

GATE

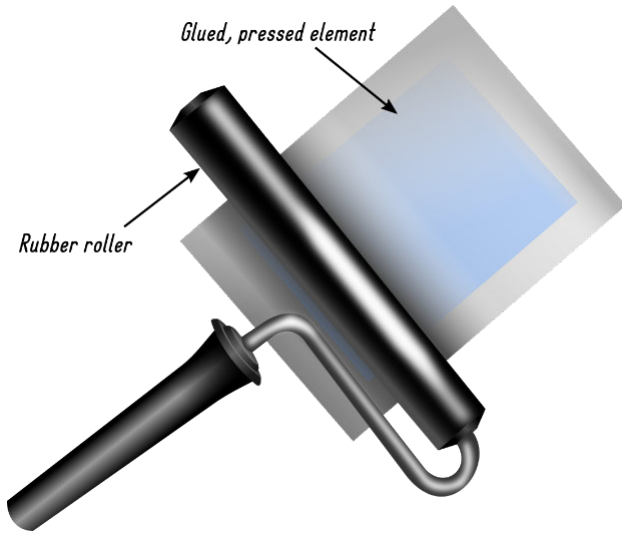
instruction



paper model for s-f, modern, ww2,
rpg and tabletop games

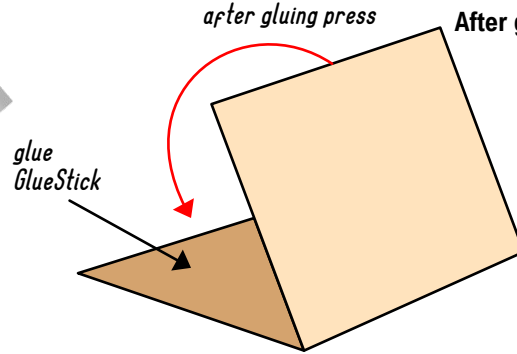
All Rights Reserved Copyright © 2021.
Design, geometry, textures are the property of DarekPages.
www.darekpages.eu

Model sheets print on format A4 - 170.. 200g/m2 paper or similar. The best effect will be on the Matte Photo paper. Model glueing glue with White Glue or Vicol or similar (for wood). In other elements use Glue Stick, this is stated in the instructions. Large glued flat parts must be pressed, for example with a rubber roller.



Glued GlueStick parts:

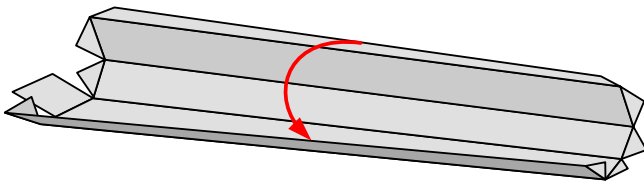
P-1.1, P-1.2, P-2.1, P-3.1



After glued pressed Rubber Roller.

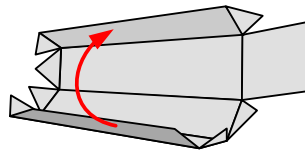
1

Repeat for the part

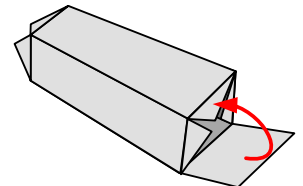


2

Repeat For the part

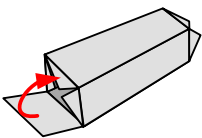


3

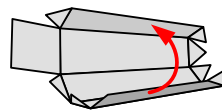


4

Repeat for the part

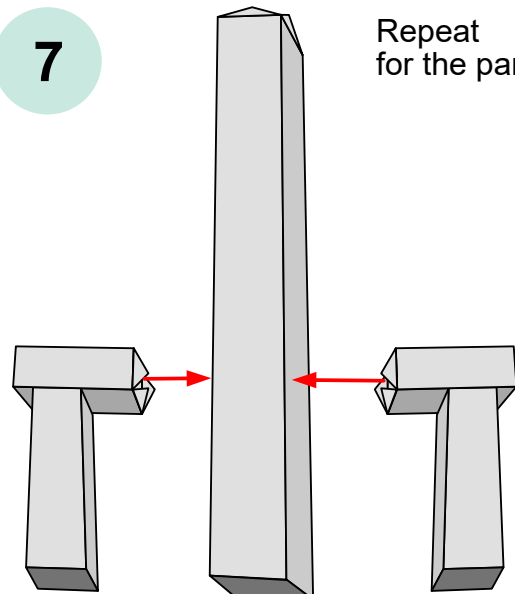


5



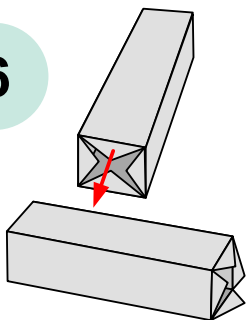
7

Repeat for the part

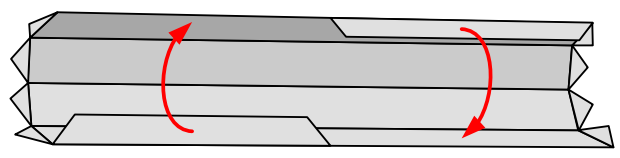


Repeat for the part

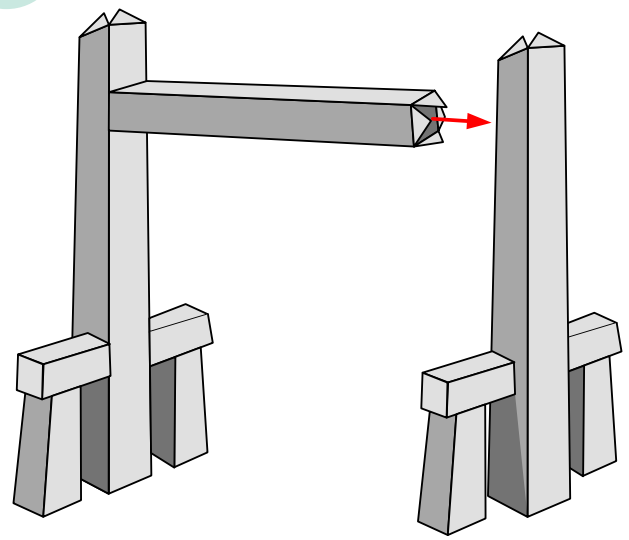
6



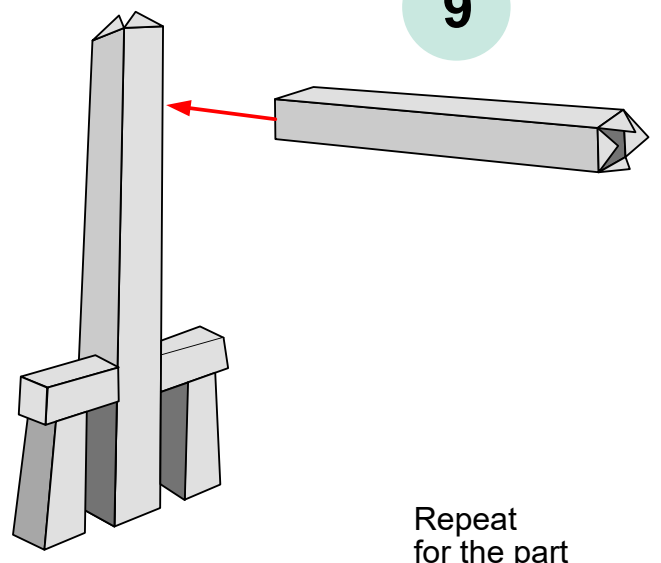
7



9

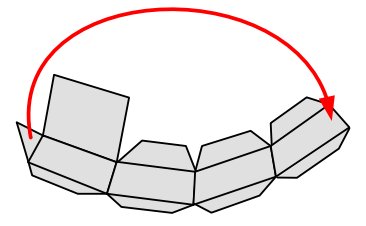


9

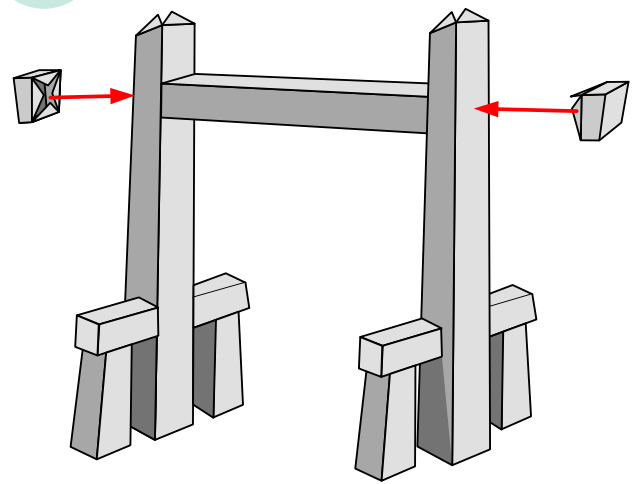


Repeat for the part

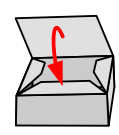
10



13

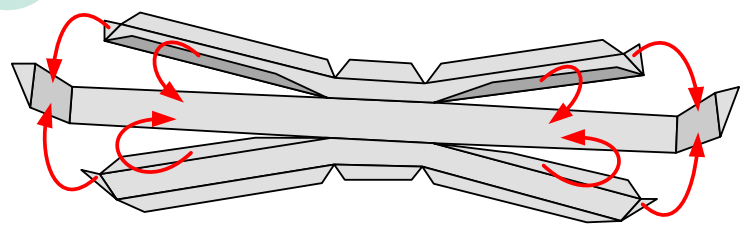


11

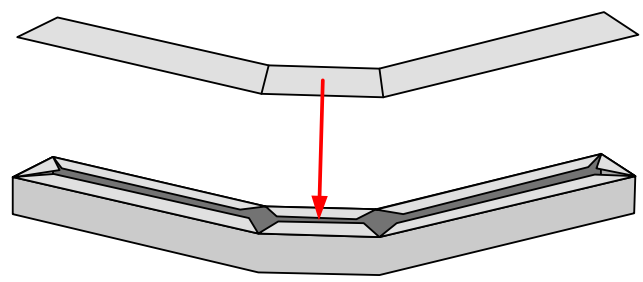


Repeat for the part

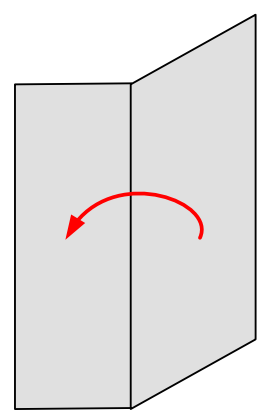
13



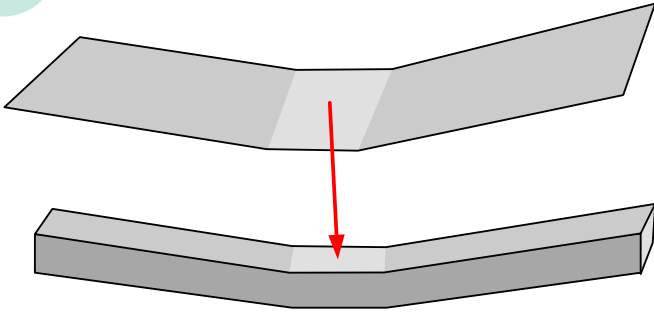
15



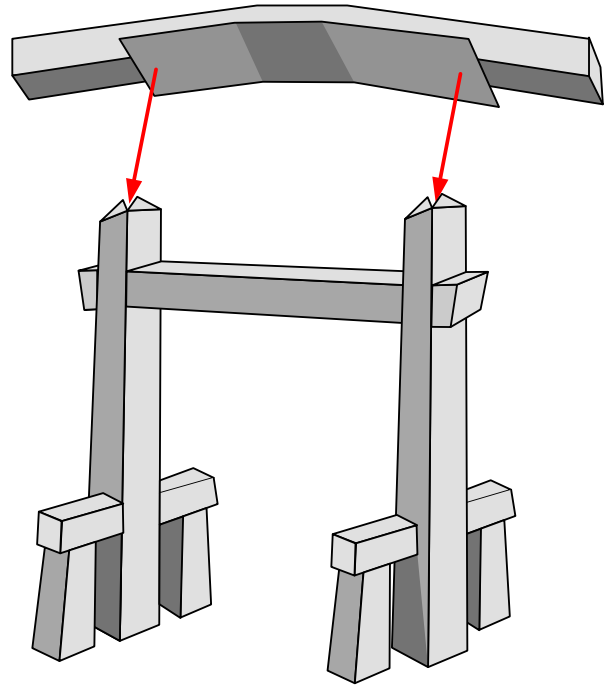
15



16



17



If you need help, you can use my address
Facebook Messenger or email.

